

HIGH PERFORMANCE BUTTERFLY VALVE

Features

- Available in carbon steel and stainless steel.
- Wafer type with streamlined double eccentric disc and one-piece anti-blow out shaft, bi-directional sealing, anti-static design.
- The body with centering holes for easy pipe alignment is suitable for mounting between flanges according to DIN PN 10/16 and ASME 150#.
- Executed with replaceable seat in PTFE, fire-safe, metal or double-seat version, for in-line sealing. For sealing to the atmosphere the valve is provided with a self-centering and re-adjustable gland packing of PTFE or graphite material.
- For easy adaption of both manual and automatic actuators the valve is executed with a top-flange according to the ISO 5211 standard.



Standards

- Designing & manufacturing are according to the regulations of API 609.
- Flange is subject to ANSI 16.5.
- Face-to-face dimension is by the regulation of enterprise standards and API609.
- Pressure test is according to API598.

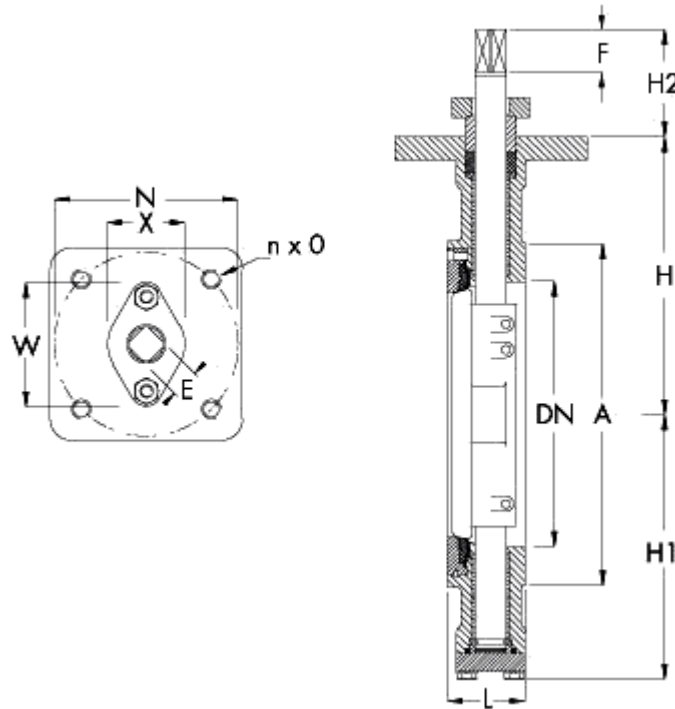
Materials

Component	Material	US	Material	US
Body	Cast steel	ASTM A216-WCB	S.S.	ASTM A351-CF8M
Disc	S.S.	ASTM A351-CF8M	S.S.	ASTM A351-CF8M
Pressure ring	Forged steel	ASTM A105(N)	S.S.	AISI 316
Stem, pins	S.S.	AISI 316	S.S.	AISI 316
Seat and shaft seal	PTFE	PTFE	Version with PTFE seat	Version with PTFE seat
Primary seat and shaft seal	PTFE	PTFE	Version with double seat	Version with double seat
Secondary seat	S.S.	AISI 316	Version with fire-safe seat	Version with fire-safe seat
Primary seat	PTFE	PTFE		
Secondary seat	S.S.	AISI 316	Version with fire-safe seat	Version with fire-safe seat
Shaft seal	Graphite	Graphite		
Seat	Alloyed steel	Inconel	Version with metal seat	Version with metal seat
Shaft seal	Graphite	Graphite		

Specifications

Nominal pressure	PN 0.6-1.0 MPa	ANSI 150LB-300LB
Shell Test		1.5MPa
Seal test(water)		1.1MPa
Seal test(oil)		0.6MPa
Body Material	Carbon steel	CrNiTiP
Working Temperature		-29-150
Suitable medium	Water/ steam/ gas/ oil	Acid alkali corrosive medium

Dimensions



DN	A	E	F	H	H1	H2	L	N	nxO	W	X	Weight[kg] excl. actuator	Kv value
mm													
50	102	12	23	108	99	62	43	70	4xM8	58	40	6	60
65	122	12	23	123	112	62	46	70	4xM8	58	40	6	110
80	132	12	23	133	120	62	46	70	4xM8	58	40	7	155
100	156	12	23	155	131	62	52	70	4xM8	58	40	8	350
125	188	17	26	173	159	65	56	102	4xM10	72	55	12	525
150	216	17	26	183	170	65	56	102	4xM10	72	55	15	985
200	268	19	35	218	210	82	60	125	4xM12	96	70	22	1800
250	326	22	35	253	237	82	68	125	4xM12	96	70	32	2740
300	375	27	45	278	278	92	78	140	4xM16	96	70	43	4025
350	420	30	45	318	316	92	92	140	4xM16	96	70	54	4965
400	482	36	62	363	362	124	102	165	4xM20	124	80	86	6850
450	538	41	62	388	387	124	114	165	4xM20	124	80	114	9000
500	592	46	70	418	432	132	127	165	4xM20	142	110	145	12000
600	694	50	75	478	506	182	154	254	8xM16	142	110	219	18000

* The information herein is subject to change without notice.